



Phone: 216-381-0040  
Email: [info@wingatealloys.com](mailto:info@wingatealloys.com)  
Web: [www.wingatealloys.com](http://www.wingatealloys.com)

# POWER UTILITY STEEL SERVICE CENTER

## MATERIAL NEEDS:

- FULL SERVICE STEEL DISTRIBUTOR

## SURVEY:

- OEM REPLACEMENT / NO EXISTING PLANS
- HD LASER SCANNING CAPABLE

## RE-ENGINEERING:

- PROVIDE SOLUTIONS
- IMPROVE OEM DESIGN
- INCREASE LIFE SPAN

## FABRICATIONS:

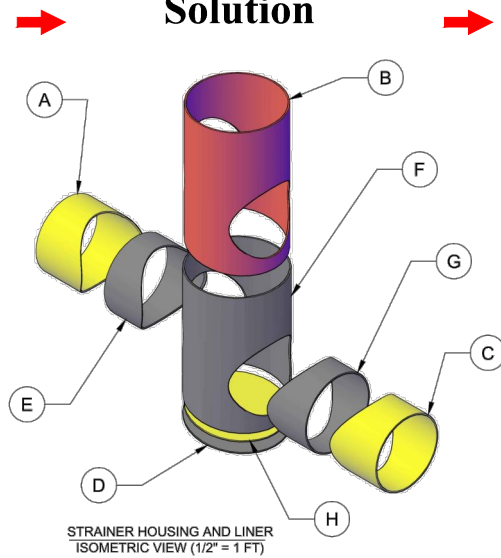
- MEETING UNBELIEVABLE DEADLINES
- EXPERIENCED WITH EXOTIC MATERIALS

# FGD Scrubber Replacement Parts

## Problem



## Solution



## Fabrication



**Chempalloy Lined  
Lime Stone Chute**

## Installation



**Duplex Strainer Basket**

**Hastelloy Lined  
Strainer Housing**



**SBS Scrubber System  
Injection Nozzle Guide**

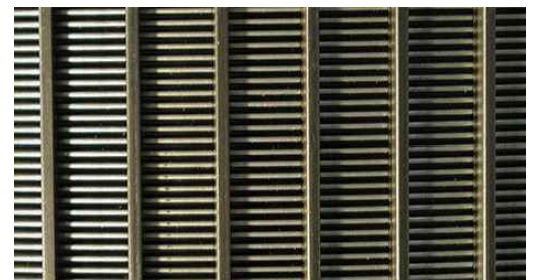


**Studded Wear Plates**

**OEM Replacement  
Basket**

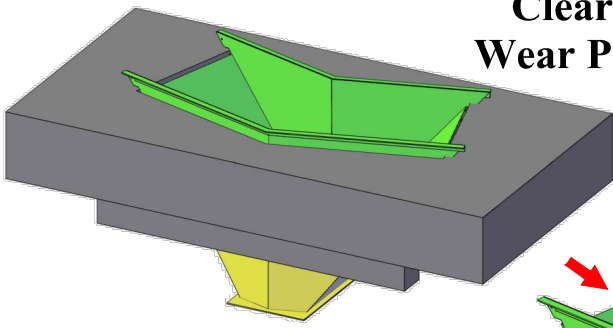


**Tip Seals**



**Wedge Wire Screen**

## Clearance / Wear Problems



Turblex Blower Rebuild



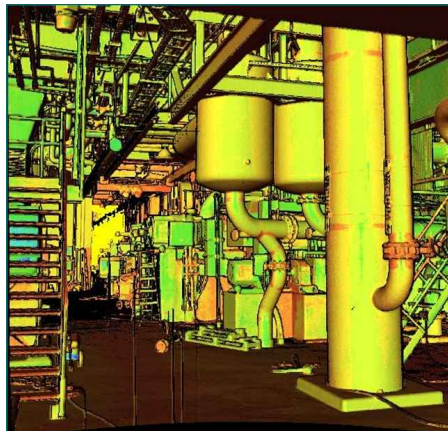
Breaker Screens



Breaker Screens



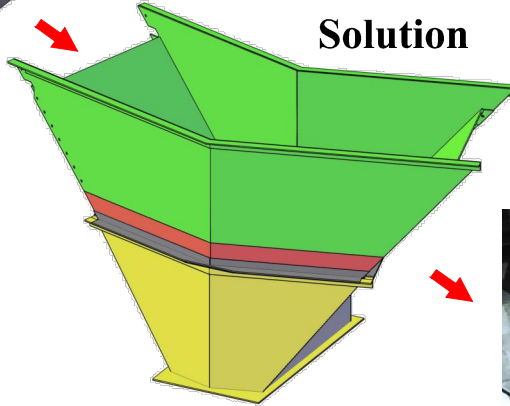
Grizzly Grate



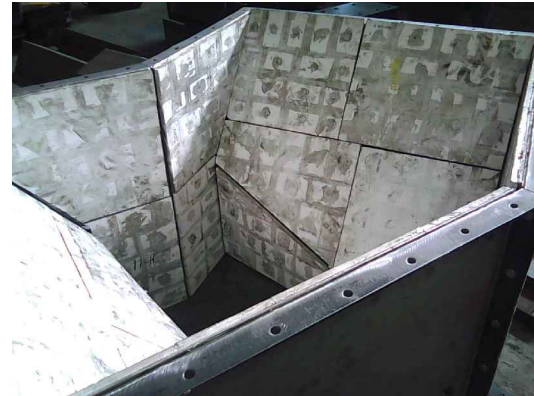
## Coal Handling

304 S/S  
Ceramic Lined Chute

### Solution



Ceramic Lined Pipe  
Fabrication



Dyconite Coated  
Crusher Hammer



## MISC FABRICATIONS:

- Champaloy Lined Slurry Recycle Tank
- Champaloy Reagent Tank Nozzle
- Galvanized Skids
- Racking Key
- Economizer Baffles
- Lamella Seal
- Diverter Seal
- Hydrocyclone Trough
- Custom Flanges
- Custom Couplings

## HD Laser Scanning

### Survey

- Obtain All Information **WITHOUT PLANS**

### Problem Solve

- Analyze and Improve Existing Conditions

### Fabricate

- Supply Turnkey Fabrications



**...Your Solutions Provider**

**www.wingatealloys.com**

**In Stock for Immediate Shipment**

**ABRASION RESISTANT STEEL**

**Types** AR 280 – 325 BHN  
AR 360 – 425 BHN  
AR 450 – 550 BHN

**Avail.** Plate, Bar, Wear-Strip,  
HT Lug Plate, T-1

*"High nickel content available upon request"*

**ALLOYS**

**Types** 4130, 4140, 4150, 4340,  
6150, 8620, 52100

**Avail.** Bar, Plate, Strips,  
Hex, Tubing

**Cond.** Annealed, Heat Treated

**Misc.** High Nickel, Tungsten,  
Chrome Plated Shafting

**ALUMINUM**

**Types** 1100, 2011, 2017, 2024  
3003, 5052, 6061, 7075

**Avail.** Bar, Plate, Tubing,  
Extrusions, *Structurals*

**Cond.** All Tempers

**CHROME CARBIDE OVERLAY**

**Types** Single Pass  
Double Pass

**Sizes** Stk 48" x 96", 48" x 120",  
60" x 120"

**Avail.** Cut to Size, Shapes, Pipe

**Misc.** Roll or Form to Prints

**COPPER, BRASS, BRONZE**

**Avail.** Bar, Flat, Sheet, Coil,  
Tubing

**Cond.** All Grades, Tempers

**Misc.** Stock Ampco, Self-  
Lubricating Bronze

**ENGINEERED POLYMERS**

**Types** UHMW, Urethane, Nylon  
Teflon, Lexan, Plexiglas

**Avail.** Bar, Plate, Extrusions,  
Tubing, Special Shapes

**Misc.** UHMW—Corrosion/Moisture  
Resistant, UV Stabilized, FDA

**HIGH MANGANESE (14%)**

**Avail.** Plate, Bar, Wear-Strip

**Applic.** Wear Parts with High  
Impact, Rock Crushers,  
Shot Blast Equipment

**Misc.** Work hardens, 200 to  
600 BHN

**PLATE**

**Types**

High Strength A572 Grade 50  
A514

A516 Grade 70

Press. Vessel SA 387 Grade 11,22

Free Mach. 1144

Carbon Steel A36, 1045, Corten

Alloy Steel See Alloys

**STAINLESS STEEL**

**Types** 300 Series  
400 Series  
15-5, 17-4, 17-7 PH  
Nitronic 30, 50, 60

**Avail.** Bar, Plate, Tubing, Coil,  
Screens, Expanded Metal,  
TGP Shafting, *Structurals*

**SUPER ALLOYS**

**Types** Duplex, Inconel, Monel,  
Hastelloy, Nickel Alloys,  
Waspaloy, Titanium

**Avail.** Bar, Plate, Tubing, Shapes,  
Sheets

**THREADED BAR**

**Types** A193 – B7  
A193 – B16  
Low Carbon  
Stainless Steel

**Misc.** HT Hex Nuts, Bolts,  
Cap Screws

**TOOL STEELS**

**Types** A-2, A-6 D-2, D-3  
O-1, O-6 W-1, W-2  
S-1, S-5, S-7  
M-1, M-2, M-42  
H-11, H-13, H-21  
T-1, T-2, T-15

**Avail.** Bar, Plate, Flats, Strips,  
Hex, Octagon, Hollow  
Bar, Precision Ground,  
Drill Rod

**TUBING — PIPE**

**Types** Alloy, Carbon, Aluminum,  
Stainless, Copper, Brass,  
Bronze

**Cond.** Induction-Hardened,  
Chrome Plated, Precision  
Honed, Chrome Carbide  
Overlay (OD & ID) and  
Abrasion Resistant

**TURNED, GROUND AND POLISHED SHAFTING**

**Types** 1018, 1045, 1141, 1144  
4140, 4150, 4340, 4620,  
6150, 8620

**Sizes** ¼" — 20" Diameter

**Avail.** Stock, Random Length,  
Cut to Length

**Misc.** Stressproof, Pre-Keyed,  
Hard Chrome, *Metric*